

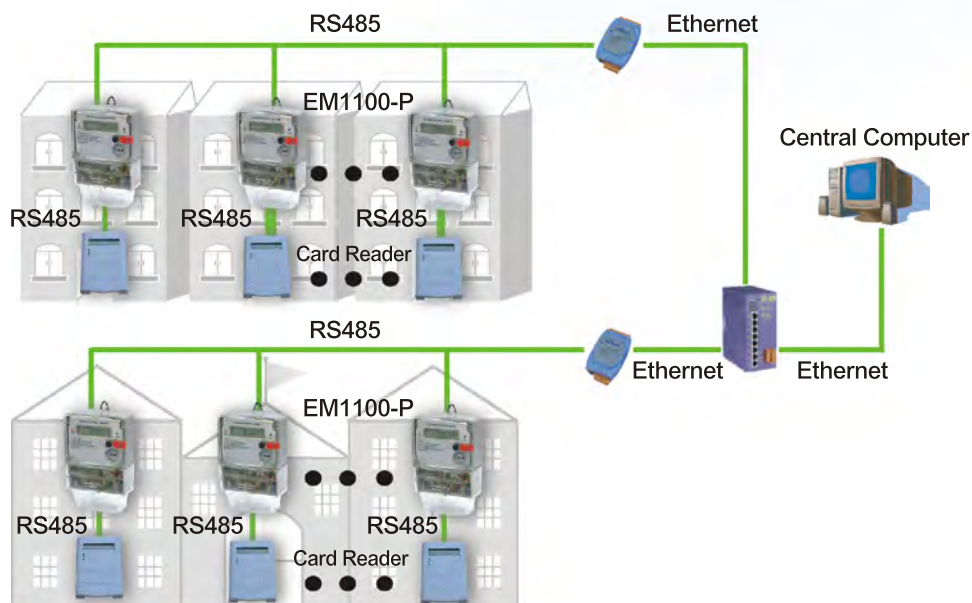
# EM1100-P Single Phase Pre Payment Meter



## Features

- < 0.5% Wh accuracy compliant with IEC-62053-21, IEC62053-22 and CNS14607
- Time-of-Use measurement with 4 tariff
- Configurable season and holiday settings
- Double RS-485 port for Card Reader and Up-Link communication
- Remote connect and disconnect
- > 10 years certified life
- Built-in RTC with long life battery
- Smart card prepayment and management with Card Reader (CR option) and Card Manager(SW options)

## Application



**Arch Meter Corporation**  
www.archmeter.com

# Specification

## ❖ EM1100-P Meter

<b>Meter type</b>	1P2W, 1P3W
<b>Base current Ib</b>	Ib 10 A
<b>Max-current</b>	1P2W for 80 A, 1P3W for 60A
<b>Starting current</b>	0.001 Ib
<b>Voltage/frequency rating</b>	110/220 Vac, 50/60 Hz
<b>Accuracy</b>	0.5% compliant with IEC-62053-21, IEC62053-22 and CNS14607
<b>Temperature</b>	Operation:-20 to 55°C, RH≤90% Storage:-30 to 70°C, RH≤90%
<b>Display</b>	7 digits LCD
<b>kWh pulse</b>	LED display
<b>Connect/disconnect</b>	Holding relay rating up to 80A
<b>Extend communication</b>	RS485 port
<b>Up-Link communication</b>	RS485
<b>Power consumption</b>	< 3VA
<b>Surge protection</b>	6 kV
<b>TOU</b>	4 tariff with season and day type settings
<b>Mounting type</b>	Surface mounting
<b>Size</b>	134.5mm(W) x 215.95mm(L) x 66.5mm(H)

## ❖ Smart Card Reader (EM1100P-CR)

Fully compatible with EM1100-P meter and most smart card standards to provide operation and setting interface

<b>Standards</b>	Support ISO7816 T=1, T=0 Protocol, compliant with ISO7816-1/2/3
<b>Display</b>	2 x16 text mode LCD to display residual money, rate type, EM1100-P kWh
<b>Communication</b>	RS485 compatible with EM1100-P meter
<b>Power supply</b>	DC 5V directly from EM1100-P meter
<b>Card holder</b>	> 100,000 smart card access
<b>Buzzer</b>	Alert card insufficient money and meter setting
<b>Keypad</b>	6 key to enter date, time and other settings
<b>Setting functions</b>	Can program EM1100-P tariff rate, Time-of-Use and stored in EM1000-P
<b>Mounting</b>	Surface mountings with tamper proof seal
<b>Size</b>	131mm(L) x 93mm(W) x 34mm(H)

## ❖ Card Manager Software (EM1100P-SW)

Medium amount card issuing and Time-of-Use setting for EM1100-P meters to provide a basic management platform

<b>System requirements</b>	PC : Pentium II 300Mhz, OS: Windows XP, 2000 and above
<b>Card Reader/Writer</b>	Compact type or medium type
<b>Card issuing</b>	User card and system maintain card with database management
<b>TOU settings</b>	Tariff rate, calendar, holiday, season, day-type setting for maintenance cards

## Ordering information

**EM1100-P-----XX**

**Type 1 : Meter Type** \_\_\_\_\_

0 : Without TOU  
1 : With TOU

**Type 2 : Current sensing** \_\_\_\_\_

0 : Standard  
1 : DC immunity

## Options

- EM1100P-CR** Smart card reader with LCD display
- EM1100P-CH** Smart card checker with LCD display
- EM1100P-SW** Card Manager, Card issuing and TOU management software



**Arch Meter Corporation**

4F, No.3-2, Industry E. Rd., 9 Science-Park Hsinchu 300 Taiwan  
 TEL:+886-3-5631359 FAX:+886-3-5631663  
 Email:sales@archmeter.com