



PA330 Multi-Function Power Meter



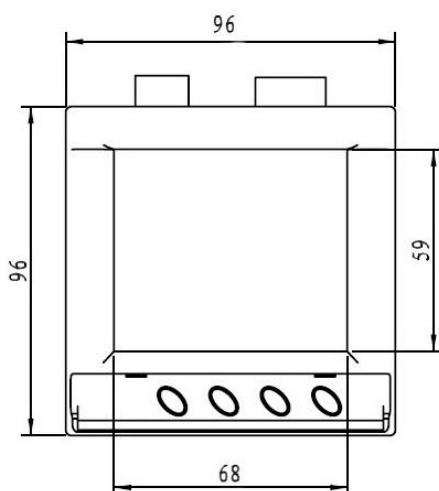
PA330 is designed for single and three phase power monitoring and measurement. It provides wide range of measurements including current, voltage, energy, watt, power factor, watt-hour, frequency, etc. Moreover, PA330 includes built-in RS485 that easily integrates with most third SCADA system. DIN 96*96 standard compact size enable PA330 easily installed. The cost efficiency and wide flexibility application also makes PA330 a good option for modern power monitoring.

Features

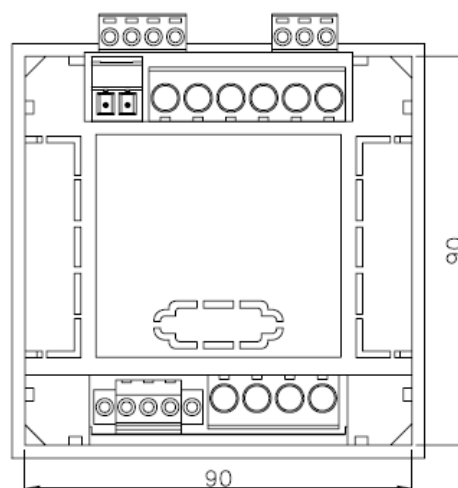
- ✚ Comply IEC62053-22 Class 0.5 standard
- ✚ V · I accuracy <0.2%, Wh<0.5%, with bi-directional true RMS energy measurement
- ✚ More than 90 parameters measure
- ✚ Current direction setting to correct the display value
- ✚ Large size of LCD with backlight adjustment in 4-stage, easy to operate
- ✚ Power Quality measurement in V/I THD · V/I unbalance · V Eligibility · Min.& Max. parameters
- ✚ Compact size, standard DIN 96*96, equipped with four clips to tight the meter on the sheet metal
- ✚ With RS485 communication protocol
- ✚ Good accuracy, wh<0.5%(PF=1)

Mounting

Front View (mm)



Back View (mm)



After mounting the instrument, place all four support latch in position.

Panel cut-out area is 92x92mm



Specification

Aux Power	AC80-264V/DC100-300V, Max.2.3W
Input Voltage	CATIII 10V-600V L-L
Input Current	2mA-5A
V input burden	$\geq 2M\Omega$ (per channel), max 0.18VA
I input burden	$\leq 5m\Omega$ (per channel), max 0.125VA
Accuracy	V、I 0.2%、W 0.5% (PF=1.0)
Frequency	45-65Hz
Measures	V, I, kW, kvar, kVA, kWh, kvarh, kVAh, PF, Frequency, Demand, Running hour
Alarms	NONE、OVER V/I、OVER F、UNDER V/I、UNDER F、OVER Dmd、ANY
Power Quality	V/I THD: accumulate up to 54 orders, 5400/second sampling rate V/I unbalance、V Eligibility、Min.& Max. parameters
Display	Mono 68X59 LCD
Communication	RS485, Lon(option)
Timer	RTC
Wiring Ports	Aux Power、Voltage、Current、DO*2、RS485、LON
I/O	DO OUTPUT*2；DO1 Alarm output、DO2 Pulse/ Alarm output
Operation Temperature	-20°C-70°C
Storage Temperature	-25°C-80°C
Humidity	20-90%RH
Dust/Water Proof Rating	Panel：IP52、Case：IP20
Size	96(W) × 96(H) × 97(L) mm
Power consumption	0.45~0.7W (Backlight off) 1.3~1.7W (Max. ,Backlight) 2.3W (Max. Backlight & Lon module)
Environmental Conditions	Indoor use Altitude up to 2000M Transient overvoltage on the mains supply is 2500V Pollution degree：2

Certificate

1. LVD Test: EN61010-1

2. CE Test：

EN61326 Conducted Emission

EN61000-3-2 Harmonic Current Emission

EN61000-4-2 Electrostatic Discharge

EN61000-4-4 Electrical Fast Transient/Burst

EN61000-4-6 Conducted Susceptibility

EN61000-4-11 Voltage Dips and Interruption

EN61326 Radiated Emission

EN61000-3-3 Voltage Fluctuation and Flicker

EN61000-4-3 Radiated Susceptibility

EN61000-4-5 Surge

EN61000-4-8 Power Frequency magnetic Field

3. FCC Test：Class A and CISPR 22

Ordering Code

PA330----x

Communication _____

0：RS485

1：Lon



Arch Meter Corporation

4F No.3-2, Industry E. Rd., 9 Science-Park, Hsinchu 308 Taiwan

Tel: 886-3-563-1359 Fax: 886-3-563-1663

E-mail：sales@archmeter.com [http:// www.archmeter.com](http://www.archmeter.com)